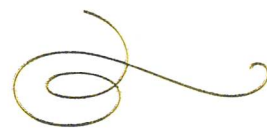


United
States
of
America



To Promote the Progress

of Science and Useful Arts

The Director

of the United States Patent and Trademark Office has received an application for a patent for a new and useful invention. The title and description of the invention are enclosed. The requirements of law have been complied with, and it has been determined that a patent on the invention shall be granted under the law.

Therefore, this United States

Patent

grants to the person(s) having title to this patent the right to exclude others from making, using, offering for sale, or selling the invention throughout the United States of America or importing the invention into the United States of America, and if the invention is a process, of the right to exclude others from using, offering for sale or selling throughout the United States of America, products made by that process, for the term set forth in 35 U.S.C. 154(a)(2) or (c)(1), subject to the payment of maintenance fees as provided by 35 U.S.C. 41(b). See the Maintenance Fee Notice on the inside of the cover.

Andres Ibarra

DIRECTOR OF THE UNITED STATES PATENT AND TRADEMARK OFFICE



US010863716B2

(12) **United States Patent**
Bernardini

(10) **Patent No.:** **US 10,863,716 B2**

(45) **Date of Patent:** **Dec. 15, 2020**

(54) **HOUSING CAGE FOR LABORATORY ANIMALS**

(71) Applicant: **TECNIPLAST S.P.A.**, Buguggiate (IT)

(72) Inventor: **Pietro Bernardini**, Crosio Della Valle (IT)

(73) Assignee: **Techniplast S.P.A.**, Buguggiate (IT)

(*) Notice: Subject to any disclaimer, the term of this patent is extended or adjusted under 35 U.S.C. 154(b) by 483 days.

(21) Appl. No.: **15/566,433**

(22) PCT Filed: **Apr. 14, 2016**

(86) PCT No.: **PCT/EP2016/058254**

§ 371 (c)(1),

(2) Date: **Oct. 13, 2017**

(87) PCT Pub. No.: **WO2016/166234**

PCT Pub. Date: **Oct. 20, 2016**

(65) **Prior Publication Data**

US 2018/0116168 A1 May 3, 2018

(30) **Foreign Application Priority Data**

Apr. 14, 2015 (IT) 102015000011767

(51) **Int. Cl.**

A01K 1/03 (2006.01)

(52) **U.S. Cl.**

CPC **A01K 1/031** (2013.01)

(58) **Field of Classification Search**

CPC A01K 1/031; A01K 1/032; A01K 1/033; A01K 1/034

USPC 119/418, 416, 417, 421, 452, 458, 475

See application file for complete search history.

(56) **References Cited**

U.S. PATENT DOCUMENTS

3,771,686 A * 11/1973 Brison A01K 1/0245
220/4.21

4,343,261 A * 8/1982 Thomas A01K 1/031
119/418

4,998,506 A * 3/1991 Frostad A01K 1/0227
119/475

D533,971 S * 12/2006 Carter D30/108
(Continued)

FOREIGN PATENT DOCUMENTS

AU 2011100541 A4 6/2011

WO 2013073069 A1 5/2013

OTHER PUBLICATIONS

International Preliminary Report on Patentability, completed May 30, 2017 for PCT Application No. PCT/EP2016/056254, filed Apr. 14, 2016.

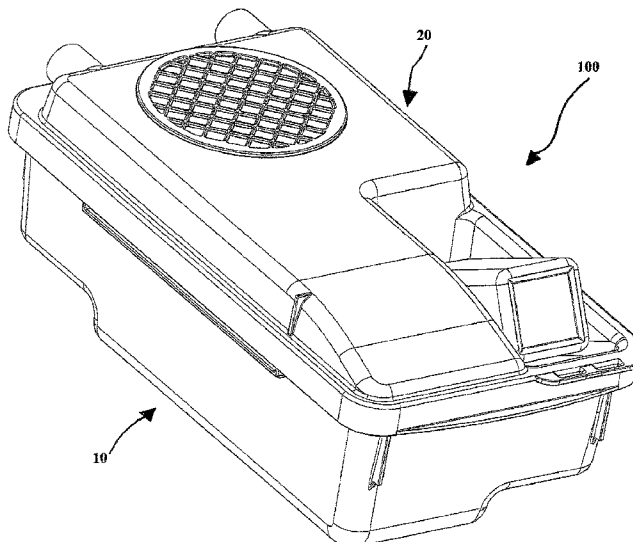
Primary Examiner — Ebony E Evans

(74) *Attorney, Agent, or Firm* — Abelman, Frayne & Schwab

(57) **ABSTRACT**

The present invention relates to a cage (100) for housing laboratory animals, typically rodents, and in particular to an individually ventilated cage (WC). The housing cage (100) according to the present invention allows to optimize the density of cages on a shelving rack, in terms of rows of cages, while complying with dimensional constraints in terms of minimum surface of the base which can be treaded on by the animals and minimum inner height of the cage. Furthermore, the cage according to the present invention comprises environmental enrichment devices (14) for the animals integrated in the base (11).

5 Claims, 7 Drawing Sheets



(56)

References Cited

U.S. PATENT DOCUMENTS

8,037,847 B2 * 10/2011 Malnati A01K 1/031
119/418
9,516,857 B2 * 12/2016 Conger A01K 1/0047
9,992,969 B2 * 6/2018 Chang A01K 1/031
2007/0079765 A1 * 4/2007 Carter A01K 1/031
119/456
2007/0193527 A1 * 8/2007 Verhage A01K 1/031
119/418
2009/0165729 A1 * 7/2009 Tamborini A01K 1/031
119/418
2009/0211147 A1 * 8/2009 Denicourt H05C 1/02
43/98
2012/0234255 A1 * 9/2012 Bernardini A01K 1/031
119/417
2016/0150758 A1 * 6/2016 Salem A01K 29/005
119/421
2019/0014740 A1 * 1/2019 Bernardini A01K 1/031

* cited by examiner



PATENT

Patent of Invention
Filed in
United States of America
for

“HOUSING CAGE FOR LABORATORY ANIMALS”

Our ref.: P018340US-01 13713PT

Your ref.: Bacinella+ripiani

Applicant(s): **TECNIPLAST S.P.A.**

Inventor(s):	Pietro BERNARDINI	
--------------	--------------------------	--

Priority(ies):	Italy	102015000011767	14 April 2015
----------------	--------------	------------------------	----------------------

Application	PCT/EP2016/058254	Date	14 April 2016
National Application	15/566,433	Date	13 October 2017
Publication	WO2016/166234	Date	20 October 2016
Grant	10,863,716	Date	15 December 2020

Notes:

EXPIRATION DATE: 10 August 2037