



(11) EP 1 719 406 B1

(12) EUROPEAN PATENT SPECIFICATION

(45) Date of publication and mention of the grant of the patent: 16.01.2008 Bulletin 2008/03 (51) Int Cl.: A01K 1/03 (2006.01)

(21) Application number: 05103785.1

(22) Date of filing: 06.05.2005

(54) Improved closure system for a cage containing laboratory animals  
Ventilierter Käfig für Versuchstiere  
Cage ventilée pour animaux de laboratoire

(84) Designated Contracting States:  
AT BE BG CH CY CZ DE DK EE ES FI FR GB GR  
HU IE IS IT LI LT LU MC NL PL PT RO SE SI SK TR

• Tamborini, Paolo  
21019, Somma Lombardo (IT)

(43) Date of publication of application:  
08.11.2006 Bulletin 2006/45

(74) Representative: Borsano, Corrado et al  
Notarbartolo & Gervasi S.p.A.  
Corso di Porta Vittoria, 9  
20122 Milano (IT)

(73) Proprietor: TECNIPLAST S.p.A.  
21020 Buguggiate, Varese (IT)

(56) References cited:  
WO-A-03/096801 US-A- 5 996 535  
US-A1- 2003 051 676 US-B1- 6 308 660

(72) Inventors:  
• Malnati, Giovanni  
21046 Malnate (IT)

EP 1 719 406 B1

Note: Within nine months from the publication of the mention of the grant of the European patent, any person may give notice to the European Patent Office of opposition to the European patent granted. Notice of opposition shall be filed in a written reasoned statement. It shall not be deemed to have been filed until the opposition fee has been paid. (Art. 99(1) European Patent Convention).

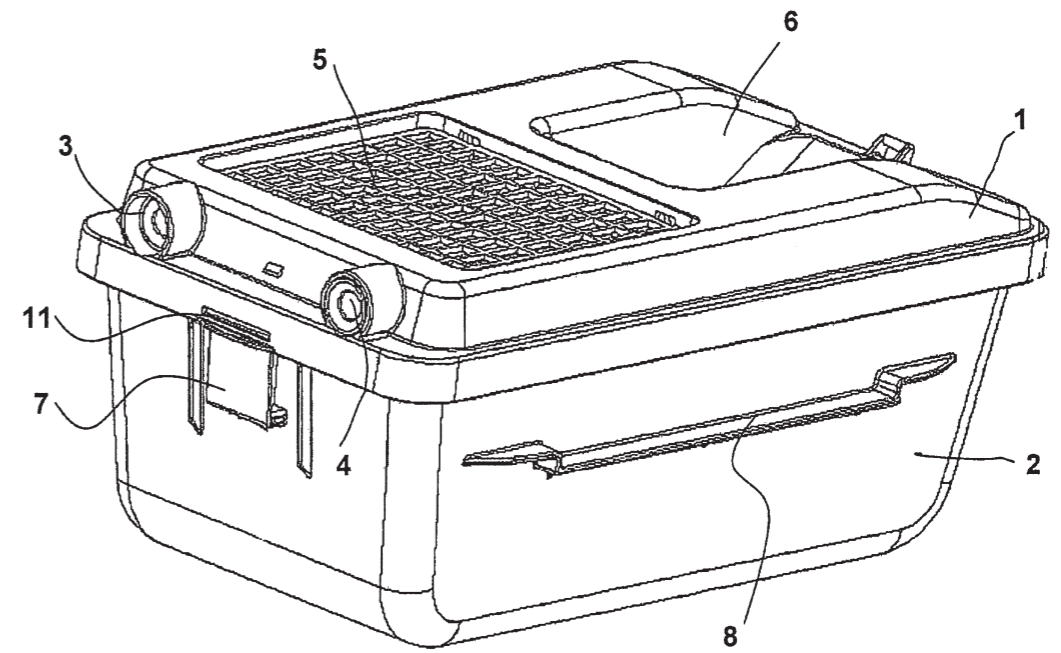


FIG. 1

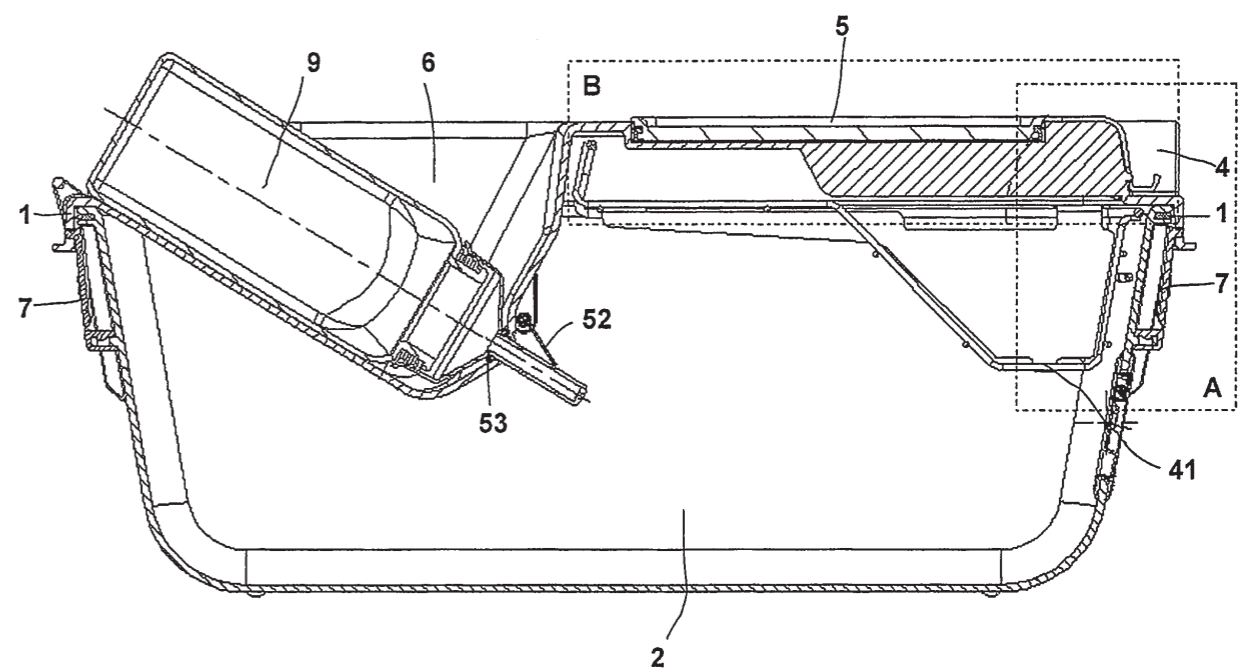


FIG. 2

EP 1 719 406 B1

EP 1 719 406 B1